



LED high bay light

Feature

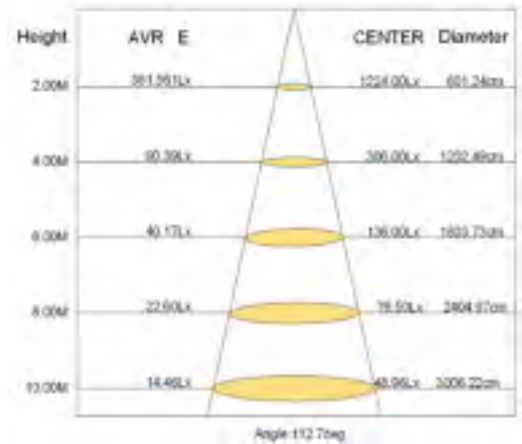
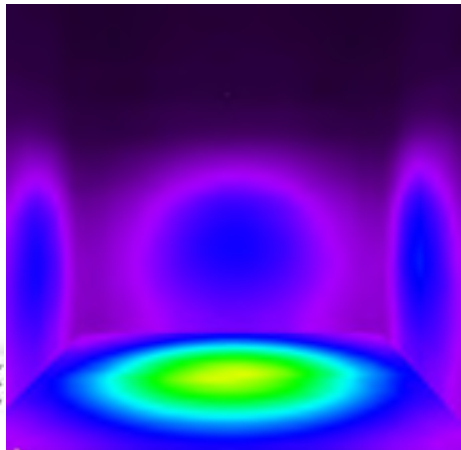
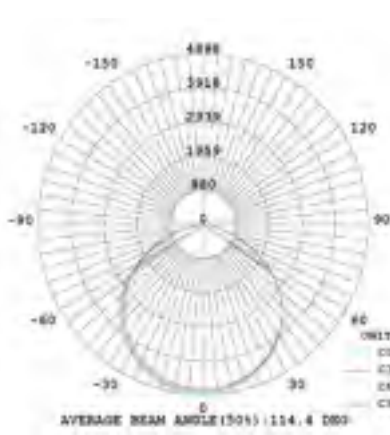
- ◇ Meanwell HBG series driver
- ◇ Nichia 3030 LED chips, Luminaire's efficiency up to 120-135Lm/w
- ◇ Easy installation, saving much labor cost
- ◇ Widely used in factory, warehouse, parking lot and other large lighting area



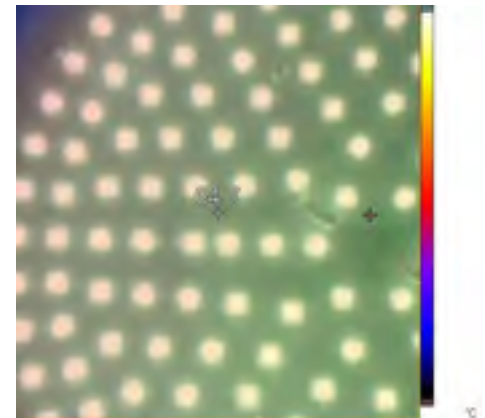
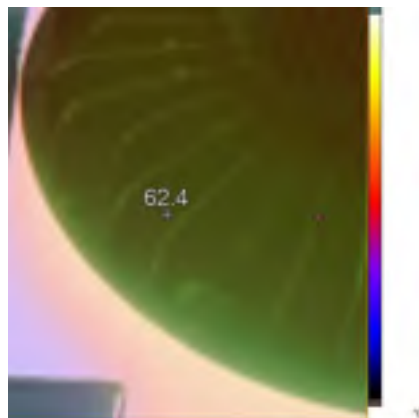
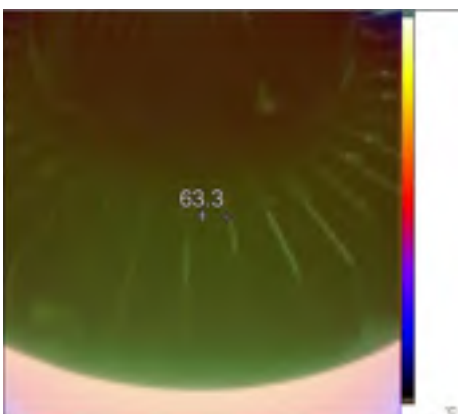
Parameter

Model No.	ST-HB-100W			Lifespan	25000h
Power	100W	PF	>0.95	Weight	2.78Kg
Input Voltage	AC100-277V 50/60Hz			Fixing way	Chain;Steeve
Size	D265*H172mm			Working temperature	-20+ 50°C
Light source	NICHIA CHIP3030/204PCS			Working humidity	relative humidity<85%
Color temperature	3000K/4200K/6500K/7200K			Luminous flux	13446Lm
Beam angle	120°			Ra	≥70

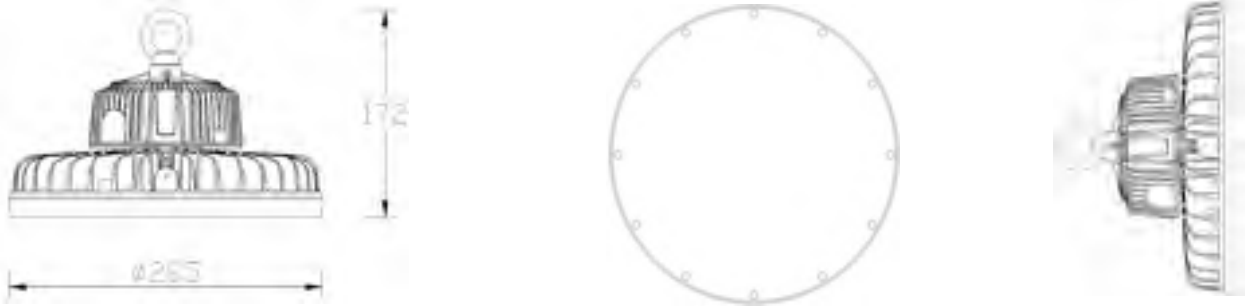
Optical parameters:



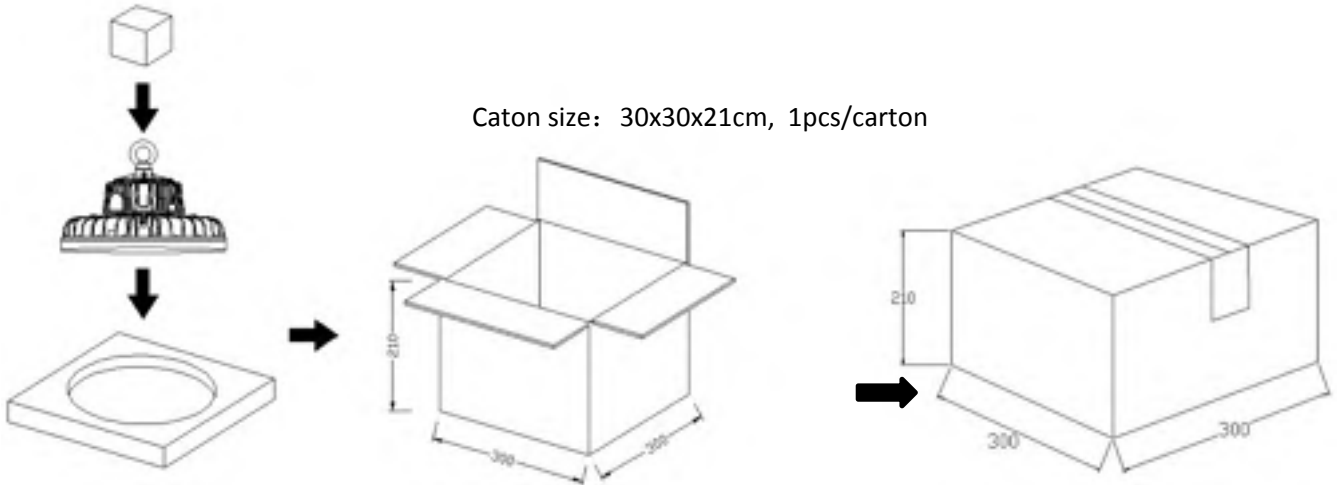
Product temperature (TA:25°C Units:°C ε = 0.95):



Dimension: (mm)



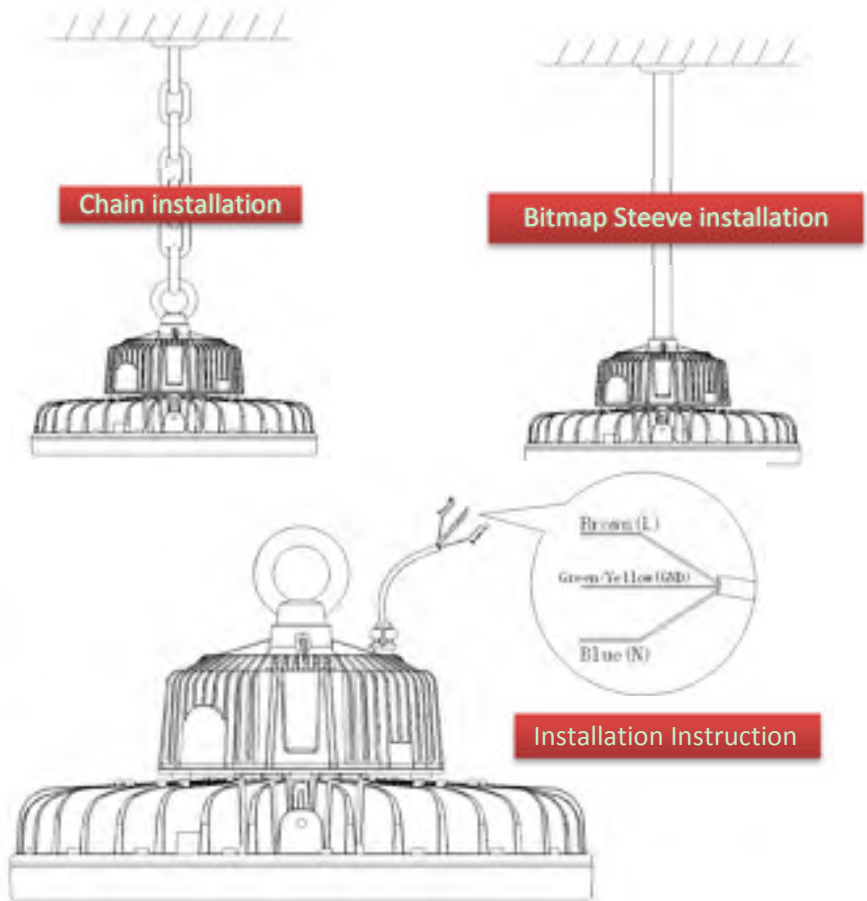
Packing:



Application effect:



安装示意图:



Installation note:

The installation personnel must have the relevant qualification
Ensure the power is off before installation
Using voltage should not exceed the rated voltage of lamps
Fixing screws must be tightened.



Shenzhen Sinoco Lighting Technologies Co., Ltd.

LED high bay light

Feature

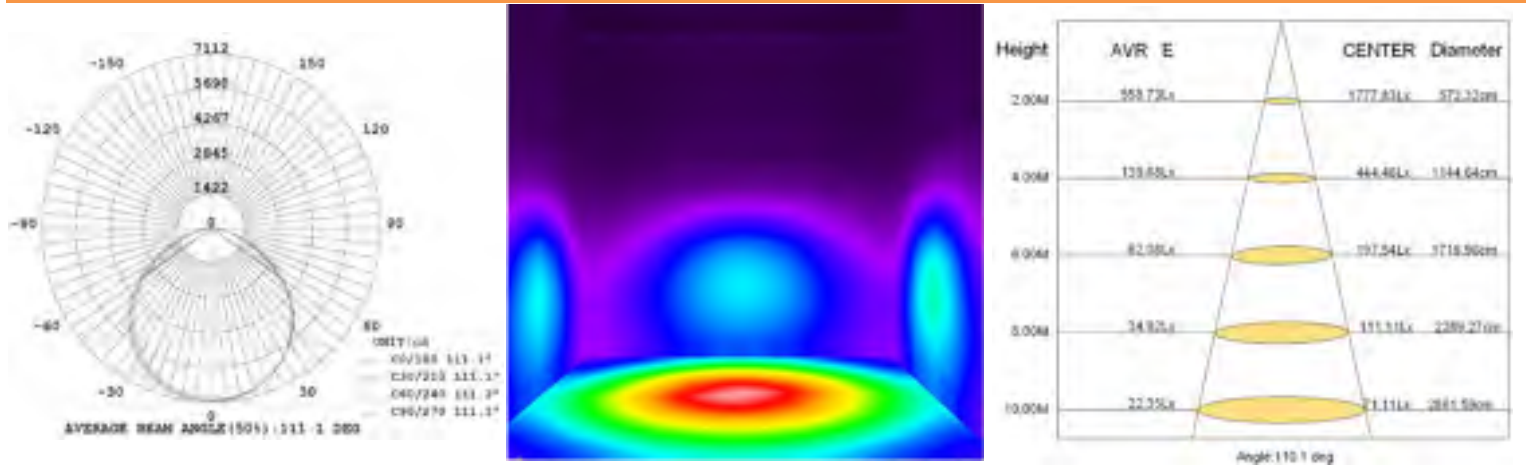
- ◇ Meanwell HBG series driver
- ◇ Nichia 3030 LED chips, Luminaire's efficiency up to 120-135Lm/w
- ◇ Easy installation, saving much labor cost
- ◇ Widely used in factory, warehouse, parking lot and other large lighting area



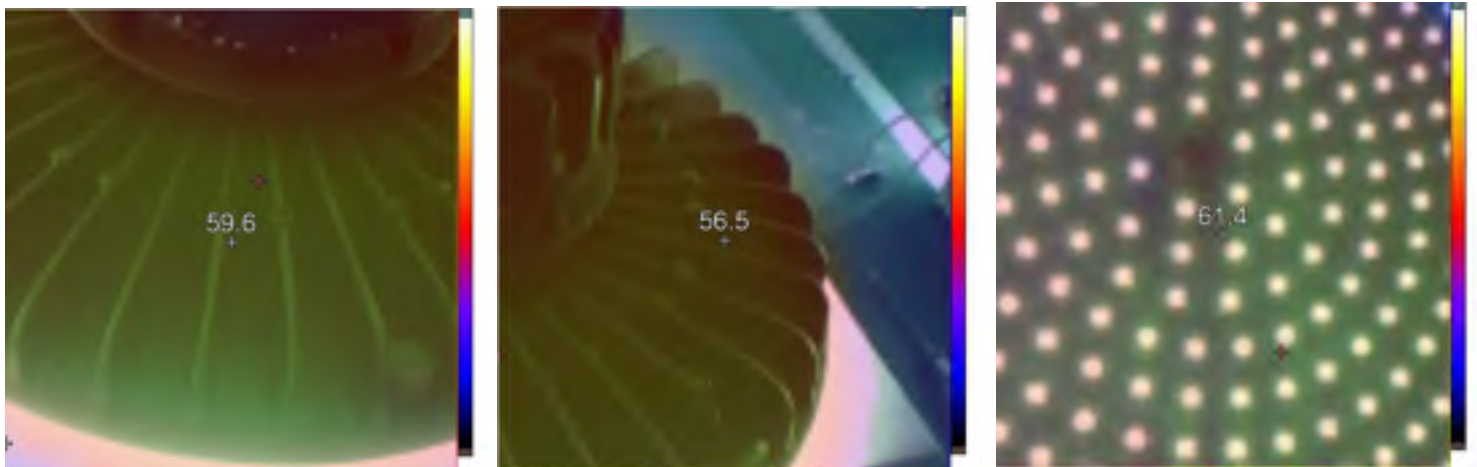
Parameter:

Model No.	ST-HB-150W			Lifespan	25000h
Power	150W	PF	>0.95	Weight	4.97Kg
Input Voltage	AC100-277V 50/60Hz			Fixing way	Chain;Steeve
Size	D350*H212mm			Working temperature	-20+ 50°C
Light source	NICHIA CHIP 3030/300PCS			Working humidity	relative humidity < 85%
Color temperature	3000K/4200K/6500K/7200K			Luminous flux	19286Lm
Beam angle	120°			Ra	≥70

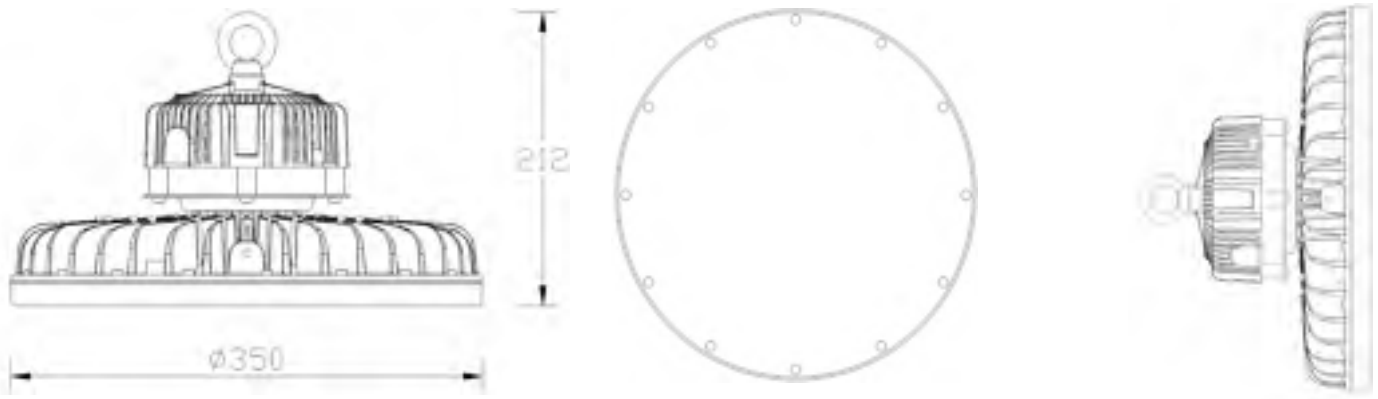
Optical parameters:



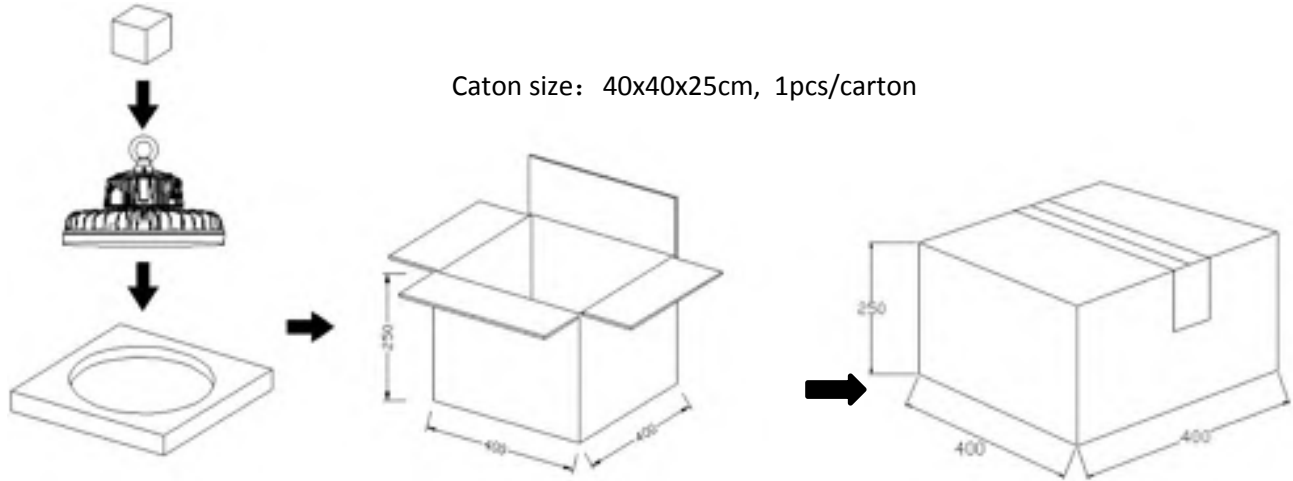
Product temperature (TA:25°C Units:°C ε=0.95):



Dimension: (mm)



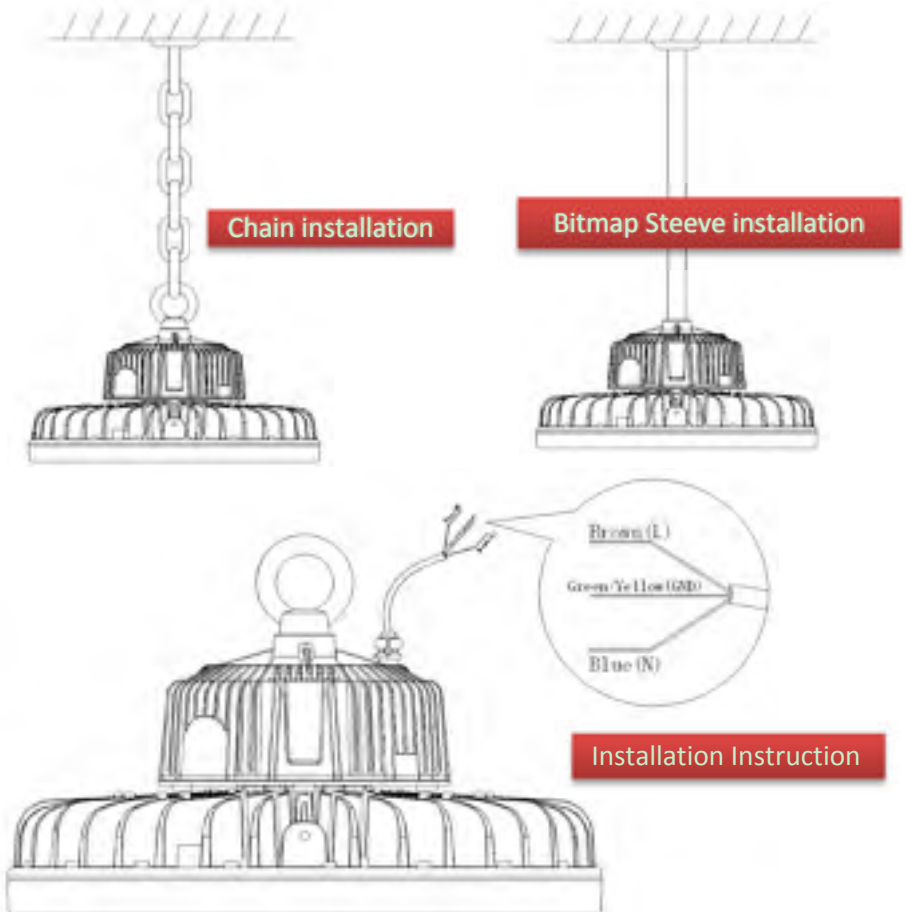
Packing:



Application effect:



安装示意图:



Installation note:

The installation personnel must have the relevant qualification
Ensure the power is off before installation
Using voltage should not exceed the rated voltage of lamps
Fixing screws must be tightened.



Shenzhen Sinoco Lighting Technologies Co., Ltd.

LED high bay light

Feature

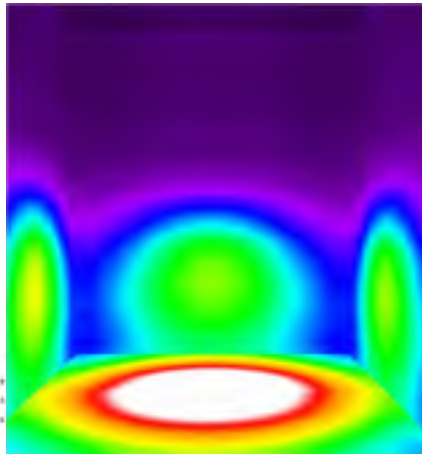
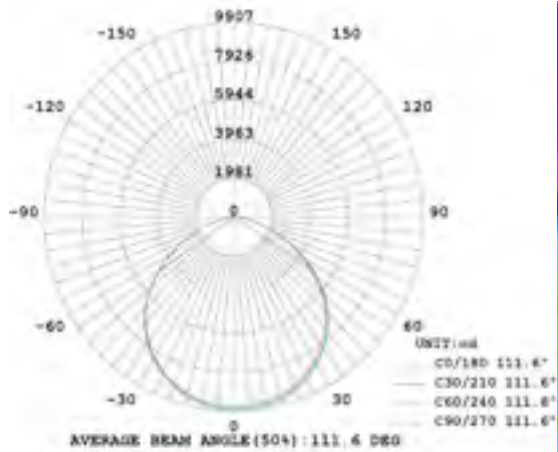
- ◇ Meanwell HBG series driver
- ◇ Nichia 3030 LED chips, Luminaire's efficiency up to 120-135Lm/w
- ◇ Easy installation, saving much labor cost
- ◇ Widely used in factory, warehouse, parking lot and other large lighting area



Parameter:

Model No.	ST-HB-200W			Lifespan	25000h
Power	200W	PF	>0.95	Weight	5.12Kg
Input Voltage	AC100-277V 50/60Hz			Fixing way	Chain;Steeve
Size	D350*H212mm			Working temperature	-20+ 50°C
Light source	NICHIA CHIP3030/396PCS			Working humidity	relative humidity<85%
Color temperature	3000K/4200K/6500K/7200K			Luminous flux	26895Lm
Beam angle	120°			Ra	≥70

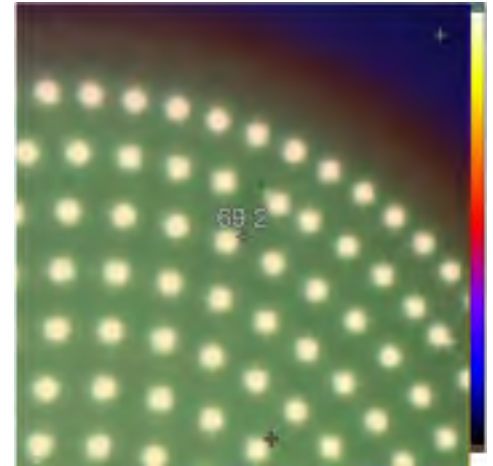
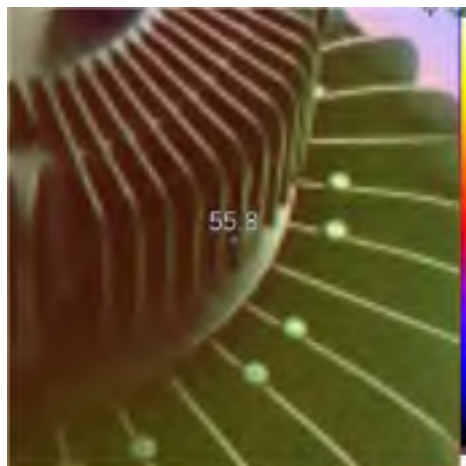
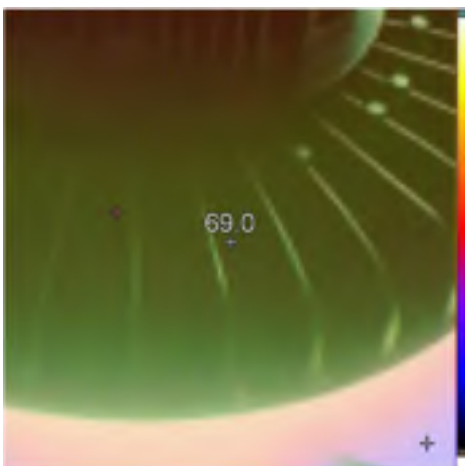
Optical parameters:



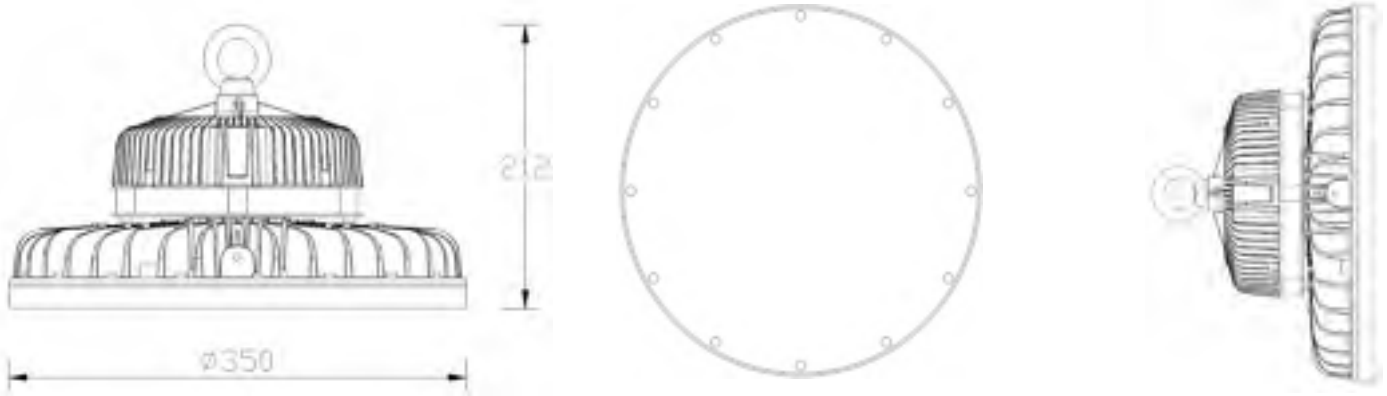
Height	AVR E	CENTER	Diameter
2.00M	774.18lx	3476.25lx	574.34cm
4.00M	193.54lx	878.06lx	1148.69cm
6.00M	86.02lx	375.14lx	1723.03cm
8.00M	48.28lx	154.27lx	2297.38cm
10.00M	36.87lx	96.11lx	2871.72cm

Angle: 110.3 deg

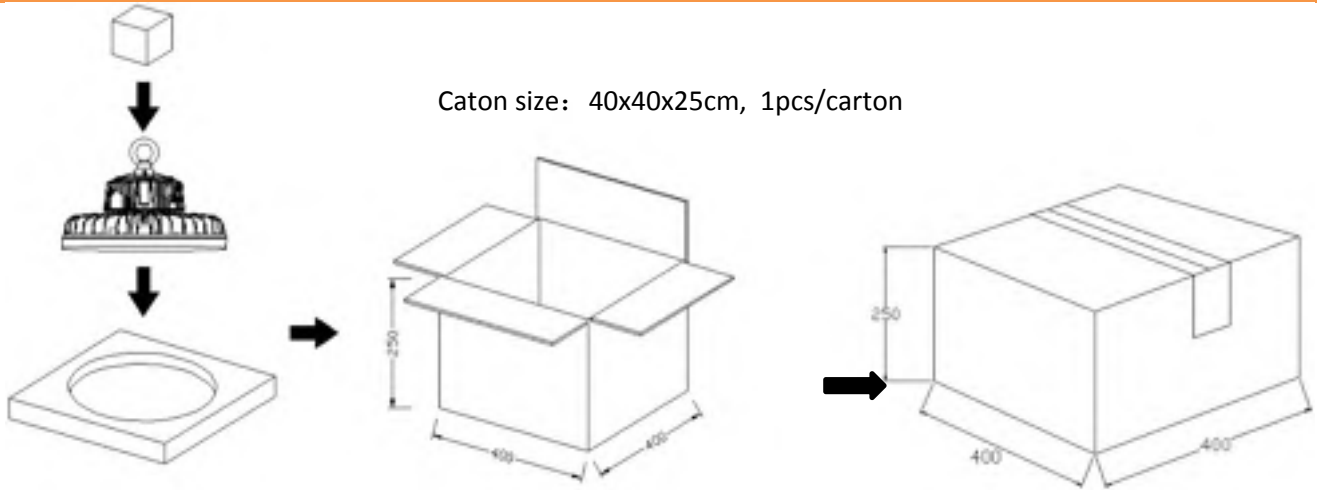
Product temperature (TA:25°C Units:°C ε=0.95):



Dimension: (mm)



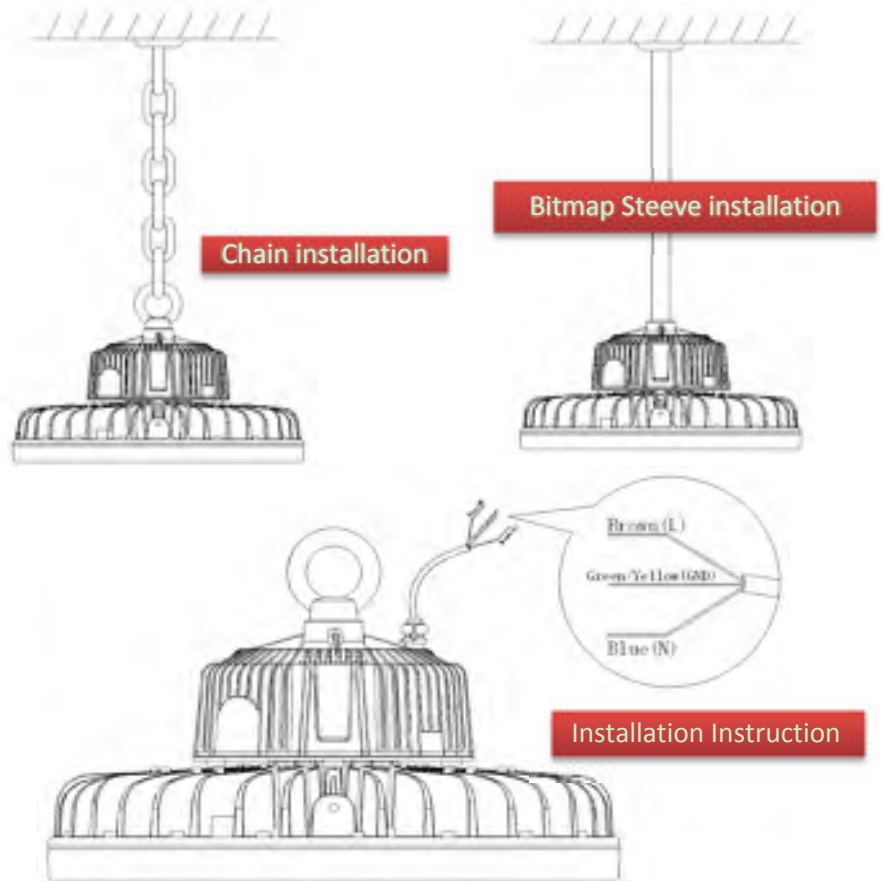
Packing:



Application effect:



安装示意图:



Installation note:

The installation personnel must have the relevant qualification
Ensure the power is off before installation
Using voltage should not exceed the rated voltage of lamps
Fixing screws must be tightened.