



Shenzhen Sinoco Lighting Technologies Co., Ltd.

LED flood light

Feature

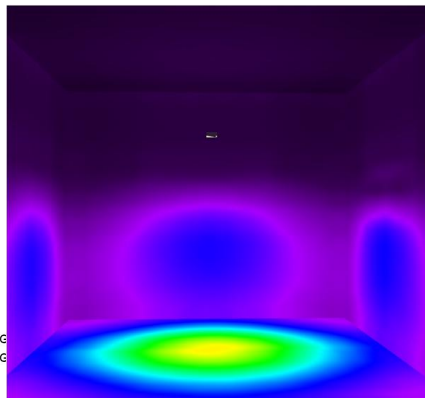
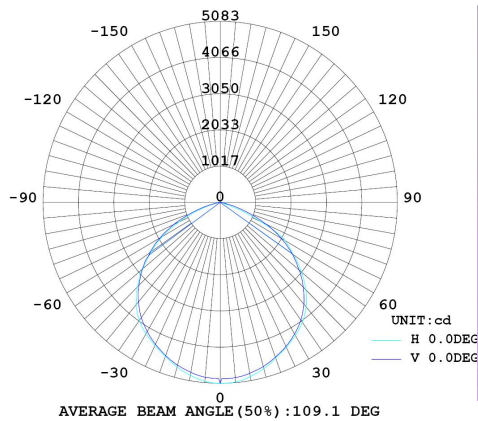
- ◇ Meanwell driver, long lifespan, safe and reliable
- ◇ Nichia 3030 LED chips, high lumen output, Luminaire's efficiency up to 120-135Lm/w
- ◇ Radiator is whole die-casting forming, elegant appearance, perfect heat sinking effect
- ◇ Easy installation, saving much labor cost
- ◇ Can be widely used in workshop, warehouse, parking and other large lighting conditions



Parameter:

Model No.	ST-FL-100W			Lifespan	25000h
Power	100W	PF	>0.9	Weight	3.73Kg
Input Voltage	AC100-240V or 277V 50/60Hz			Fixing way	Socket, wall, ceiling installation
Size	L402*W295*H53.5mm			Working temperature	-20+ 50°C
Light source	NICHIA CHIP3030/204PCS			Working humidity	relative humidity <85%
Color temperature	3000K/4200K/6500K/7200K			Luminous flux	12954Lm
Beam angle	120°			Ra	≥70

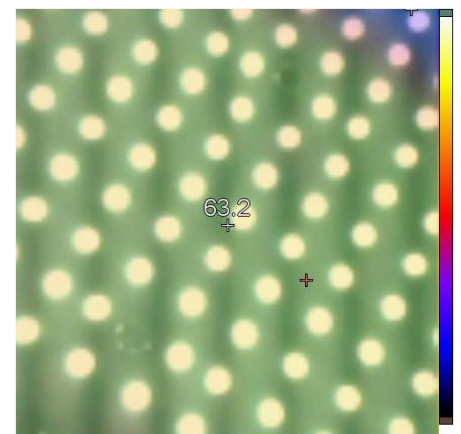
Optical parameters:



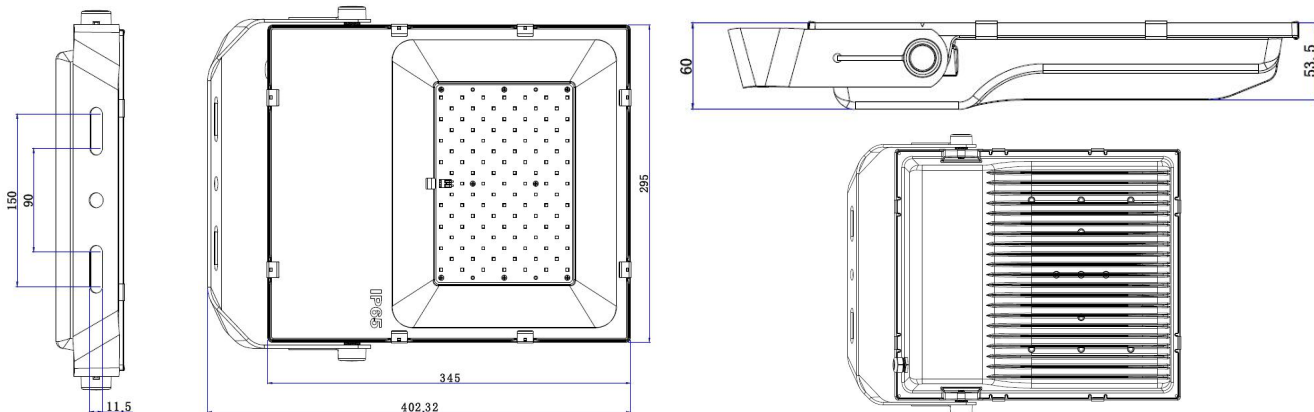
Height	AVR E	CENTER	Diameter
2.00M	401.81Lx	1270.71Lx	560.57cm
4.00M	100.45Lx	317.68Lx	1121.14cm
6.00M	44.85Lx	141.19Lx	1681.71cm
8.00M	25.11Lx	79.42Lx	2242.29cm
10.00M	16.07Lx	50.83Lx	2802.86cm

Angle: 109deg

Product temperature (TA: 25°C Units: °C ε = 0.95):

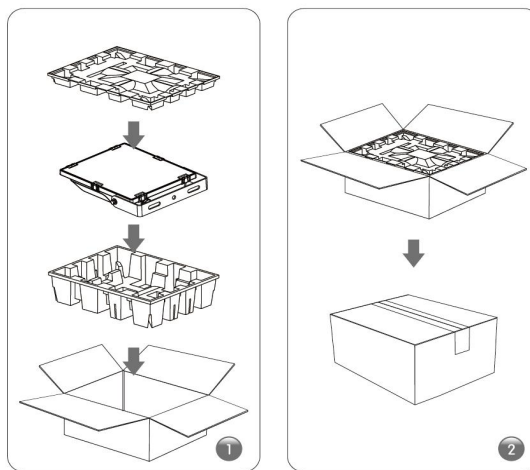


Dimension: (mm)



Packing:

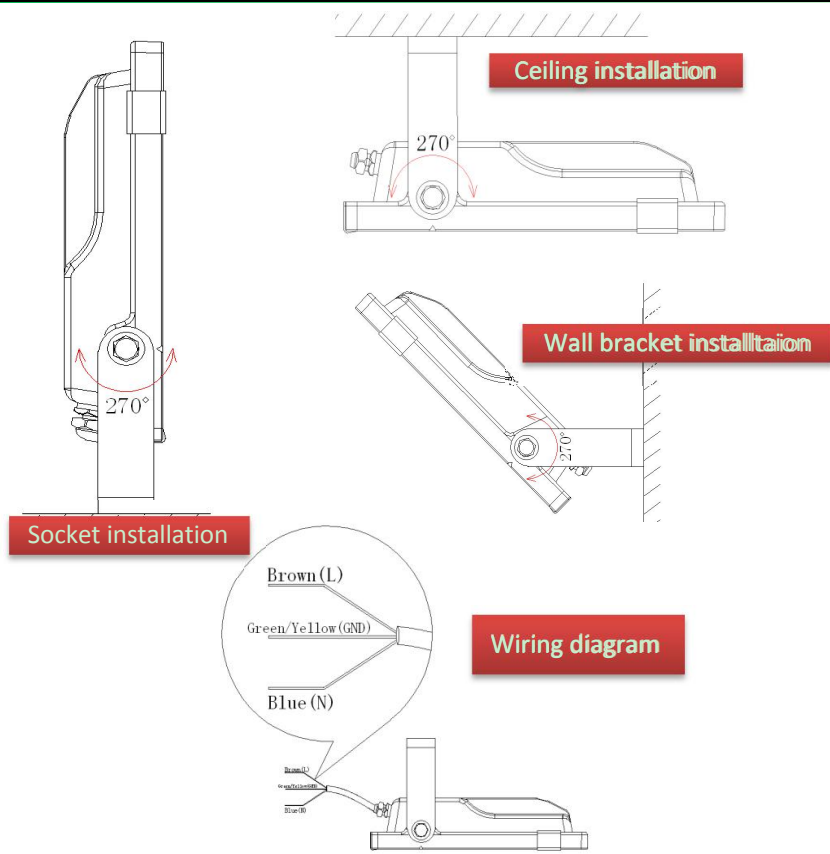
Box: 51(L)X43(W)X13.5(G)cm(K=K)
Atier: 49.4x41.5x3.3cm
Btier: 49.4x41.5x10.8cm
QTY: 1PCS/carton;



Case picture:



Wiring diagram:



Installation note:

1. The installation personnel must have the relevant qualification
2. Ensure the power is off before installation
3. Using voltage should not exceed the rated voltage of lamps
4. Fixing screws must be tightened.