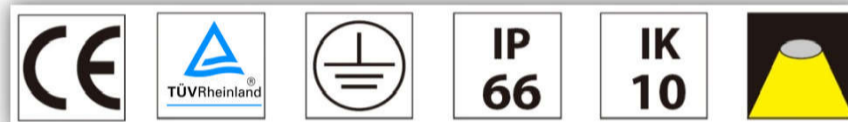




ST-41 STREET LIGHT SERIES

Feature:

- Driver:** Meanwell
- Lamp body material:** Aluminum alloy die-casting molding
- Optical components:** high temperature resistant PP plastic reflector, UV treatment surface, super white toughened glass
- Electrical panels:** electric galvanized iron plate, special screw fastening device
- Surface treatment:** uv plastic pure polyester powder spraying
- Installation height:** 4 to 7 m
- Fixed way:** Ø 60 steel tube lateral or vertical fix, Angle is adjustable



Specification:

Model No.	Input voltage	Power	Light source	Luminous Flux (Lm)	Luminaire's Efficiency	Size (mm)	Weight (Kg)
ST-41-20W	AC100-277V 50/60Hz	20W	NICHIA 3030/24PCS	2600	130Lm/W	L620*W2 95*H152	7.3
ST-41-30W	AC100-277V 50/60Hz	30W	NICHIA 3030/24PCS	3903	128.2Lm/W		7.3
ST-41-40W	AC100-277V 50/60Hz	40W	NICHIA 3030/36PCS	5255	125.3Lm/W		7.3
ST-41-60W	AC100-277V 50/60Hz	60W	NICHIA 3030/48PCS	7090	121.6Lm/W		7.3
ST-41-80W	AC100-277V 50/60Hz	80W	NICHIA 3030/72PCS	9556	120.8Lm/W		7.3
ST-41-100W	AC100-277V 50/60Hz	100W	NICHIA 3030/96PCS	12212	121.5Lm/W		7.8
ST-41-115W	AC100-277V 50/60Hz	115W	NICHIA 3030/96PCS	13915	121.0Lm/W		7.8

GENERAL INFORMATION

<i>CE marking</i>	+
<i>According to</i>	IEC60598,IEC62031,IEC62471,IEC61347,EN55015,EN6100,EN61547
<i>IP protection</i>	IP66 Dustproof,waterproof
<i>IK protection</i>	IK10
<i>Initial light colour</i>	3000K,4000K,5700K
<i>LED lifespan</i>	50000h
<i>Quantity of light sources</i>	24pcs/20W,24pcs/30W,48pcs/60W,72pcs/80W,96pcs/100W,96pcs/115W
<i>Replaceable LED panel</i>	+
<i>Replaceable driver</i>	+
<i>Type of LED module</i>	NICHIA
<i>Optic</i>	Bat beam
<i>Photocell</i>	Option
<i>Dimming</i>	Option
<i>Disconnecter</i>	Option
<i>Ambient temperature range</i>	-30℃-60℃
<i>Installation</i>	60mm, 80mm available
<i>Adjustable angle</i>	0°-80°

ELECTRICAL PARAMETERS

<i>Protection class</i>	I or II
<i>Power factor</i>	>0.95
<i>Supply voltage</i>	85-265VAC
<i>Voltage frequency</i>	50-60Hz
<i>Overvoltage resistance</i>	4kV(10kV option)

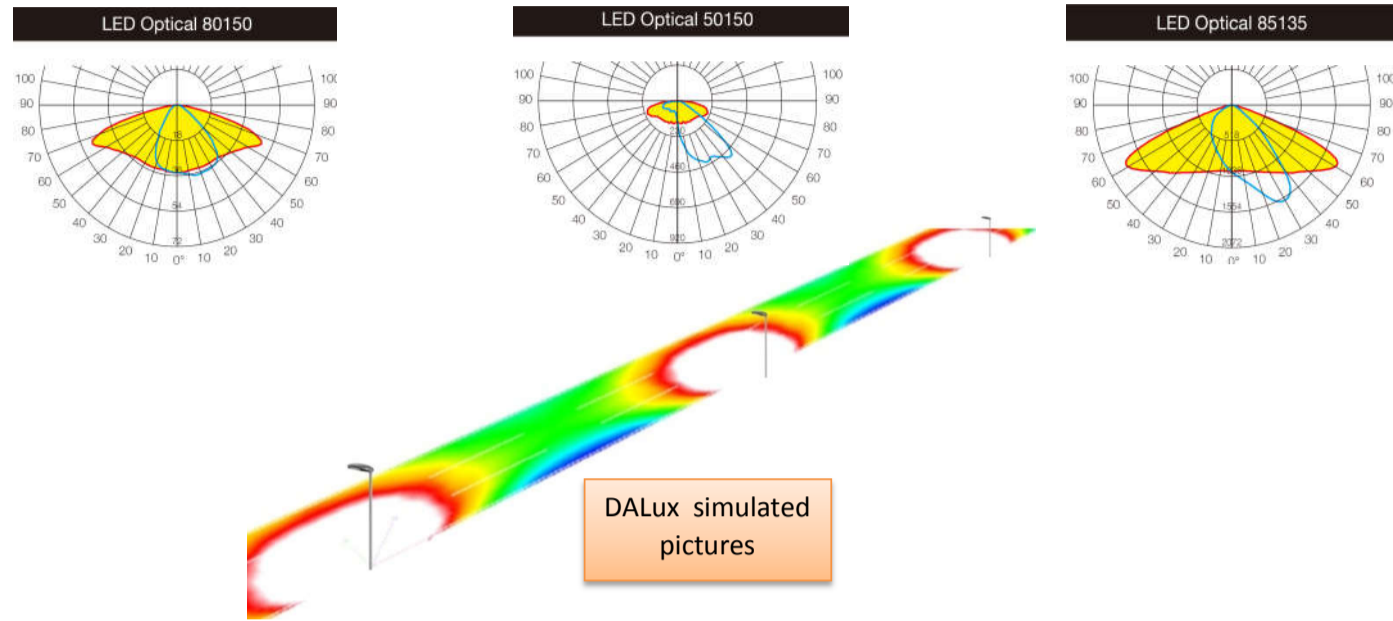
CONSTRUCTION MATERIALS

<i>Housing</i>	Aluminium
<i>Cable gland</i>	Plastic PA
<i>Optics</i>	PMMA
<i>Cover</i>	

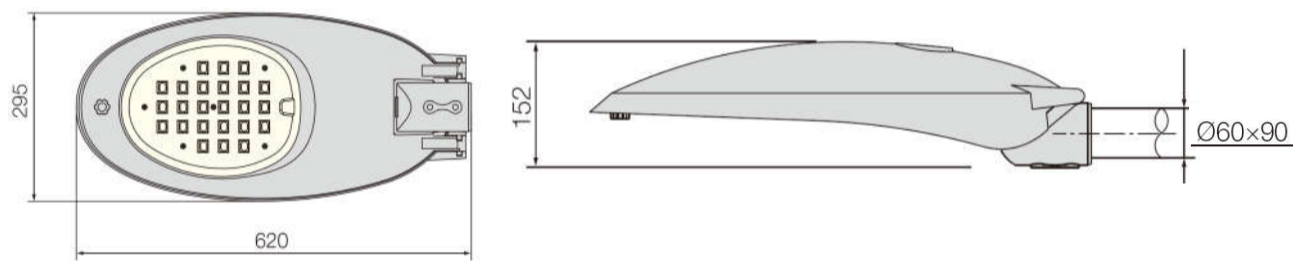
Detail:



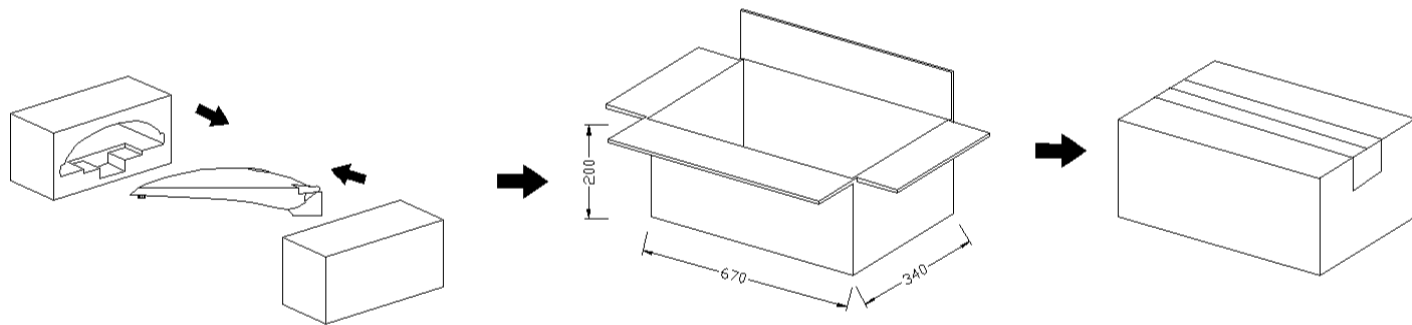
Different kinds of lens flare:



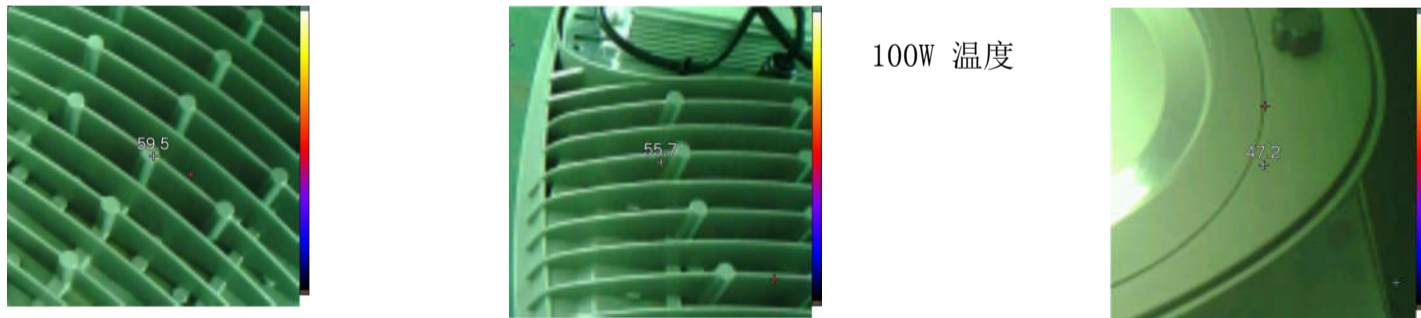
Dimension:



Packing:



Lamp temperature figure (Ta:25°C ε=0.95 Units: °C):



Case picture:

